

PRODUCT INFORMATION SHEET

HYPERION™

HORN SPEAKER

This outdoor speaker delivers clear audio messaging as part of the Hyperion perimeter security solution.

FEATURES

- Horn Style PA Speaker Rated for Outdoor and Indoor Use
- 15W Speaker for Clear, Long-Range Communication
- Impact Resistant Design
- Mounting Bracket Ready for Easy Installation
- Managed by the Hyperion Application Software

WREN
SOLUTIONS™

www.wrensolutions.com

MODEL

HYP-SPK15-W Speaker, Exterior Horn Style, White



PRODUCT INFORMATION SHEET

HORN SPEAKER

GENERAL

- Input: 15W
- Impedance: 8 Ω
- Sound Pressure Level: 112 Db
- Frequency Response: 280 Hz—12.5 kHz

ENVIRONMENTAL

- Environment: Indoor/Outdoor (Rated: IP65)
- Operating Temperature: -4°F to +131°F (-20°C to +55°C)

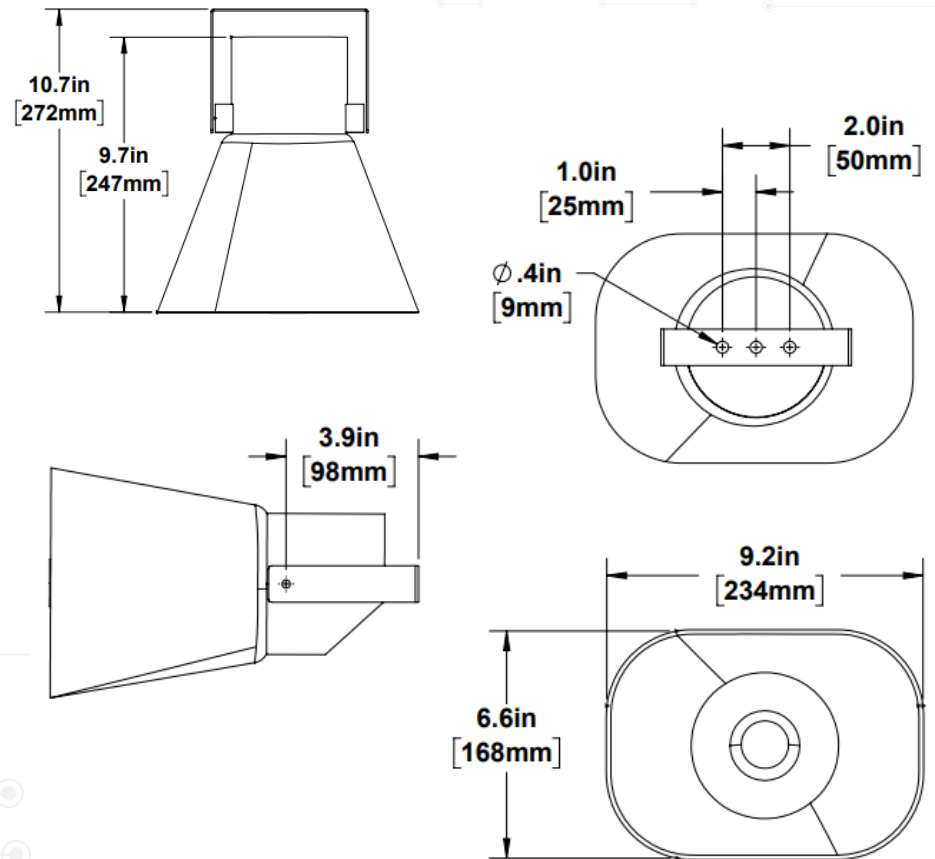
CONSTRUCTION

- Material: Aluminum
- Finish: White (Powder Coat)
- Mount: Bracket Included
- Weight: 2.51 lbs (1.14 kg)



www.wrensolutions.com

DIMENSIONS



124 Wren Parkway, Jefferson City, MO 65109 USA
(800) 881-2249 • www.WrenSolutions.com

Wren,® the Wren logo, and Hyperion® are trademarks of Wren. The trademarks that are followed by ® are registered trademarks in the U.S. All other trademarks and/or registered trademarks mentioned herein are properties of their respective owners and are for reference purposes only. The use of such third party trademarks does not indicate any affiliation with or sponsorship of or by Wren Solutions. Copyright © 2021 Wren Solutions. All rights reserved.