

PRODUCT INFORMATION SHEET

HYPERION™

LIGHT BAR

A high impact strobe light bar that works alongside other devices to increase effectiveness as part of the Hyperion perimeter security.

FEATURES

- Law Enforcement-Like Red and Blue Strobes
- Compact Design for Easy Mounting
- Wireless Connection Extends the Range of Protection and Eases Installation
- Tilt Bracket Supports Multiple Mounting Heights
- Managed by the Hyperion Application Software



www.wrensolutions.com

MODEL

HYP-SB4R-B	Light Bar, 4 LED Strobes, Ultra Red and Blue, Wireless
IDS-SB4BL	Light Bar, 4 LED Strobes, Ultra Red and Blue, Wired

CERTIFICATIONS

- FCC: Part 15
- IC: Class A/B ICES-003



PRODUCT INFORMATION SHEET

LIGHT BAR

STROBE

- Color: Red and Blue
- LEDs: 18 Watt

ELECTRICAL

- Operating Voltage: DC 24V
- Power: 1.0A Max. (@24 VDC)

ENVIRONMENTAL

- Environment: Indoor/Outdoor (Rated: IP65)
- Operating Temperature: -20°F to 130°F (-30°C to 55°C)

CONSTRUCTION

- Housing: Aluminum
- Strobe Lens: Polycarbonate
- Weight: 2.0 lbs (0.9 kg)



www.wrensolutions.com

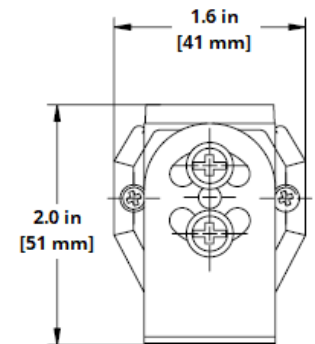
DEVICE CONNECTION OPTIONS

Wireless (Model: HYP-SB4R-B):

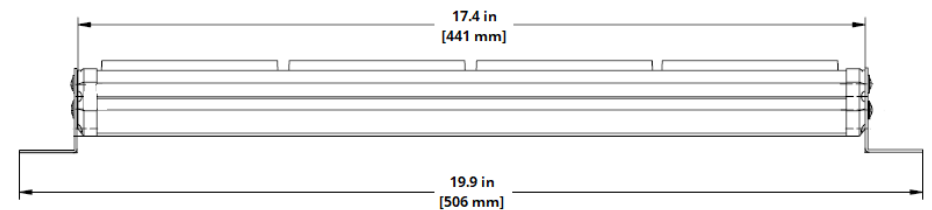
- Hyperion Radio
 - Frequency: 902-928 MHz
 - Modulation: Frequency Shift Keying (FSK)
 - Sensitivity: -120 dBm

Wired (Model: IDS-SB4BL):

- Hyperion Device Port (RJ45: No Ethernet)



DIMENSIONS



124 Wren Parkway, Jefferson City, MO 65109 USA
(800) 881-2249 • www.WrenSolutions.com

Wren,® the Wren logo, and Hyperion® are trademarks of Wren. The trademarks that are followed by ® are registered trademarks in the U.S. All other trademarks and/or registered trademarks mentioned herein are properties of their respective owners and are for reference purposes only. The use of such third party trademarks does not indicate any affiliation with or sponsorship of or by Wren Solutions. Copyright © 2021 Wren Solutions. All rights reserved.