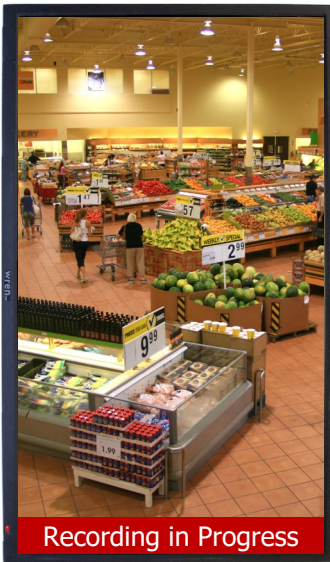


# HYPERION™ PUBLIC VIEW MONITOR



Public View Monitor with enhanced deterrent features for loss prevention plus dynamic content and message delivery.

## FEATURES

- Decode Up to 4 HD Video Streams to Increase Awareness of Security Monitoring
- Support for Both Landscape and Portrait Orientations
- HD Resolution Provides Sharp Detail for Exceptional Viewing
- Leverage Existing Cameras Streams
- Intelligent, Fast Layout Switching
- Managed by the Hyperion Application Software

## PRODUCT SPECIFICATIONS

| MODEL NUMBER                                     | HYP-PVM32-NB-1                       | HYP-PVM43-NB-1                       |
|--|--------------------------------------|--------------------------------------|
| <b>DISPLAY</b>                                   |                                      |                                      |
| Panel  | 32" LED Backlight                    | 43" LED Backlight                    |
| Resolution                                       | 1920 x 1080 (1080p)                  | 3840 x 2160 (4K)                     |
| Orientation / Aspect Ratio                       | 16:9                                 |                                      |
| Brightness                                       | 300 NIT                              |                                      |
| Contrast Ratio                                   | 3000:1                               | 1000:1                               |
| Viewing Angle - W x H                            | 178° x 178°                          |                                      |
| Response Time                                    | 18 ms                                | 8 ms                                 |
| <b>CABINET</b>                                   |                                      |                                      |
| VESA Pattern                                     | 200 x 100                            | 200 x 200                            |
| Dimensions - W x H x D (Inches)<br>(Millimeters) | 29.3 x 17.5 x 4.7<br>744 x 443 x 119 | 38.4 x 22.4 x 5.6<br>975 x 569 x 141 |
| Weight   | 27.8 lb / 12.6 kg                    | 32.2 lbs / 14.6 kg                   |
| Construction                                     | Black Plastic                        |                                      |
| Operating Temperature                            | -4°F - 140°F (-20°C - 60°C)          |                                      |

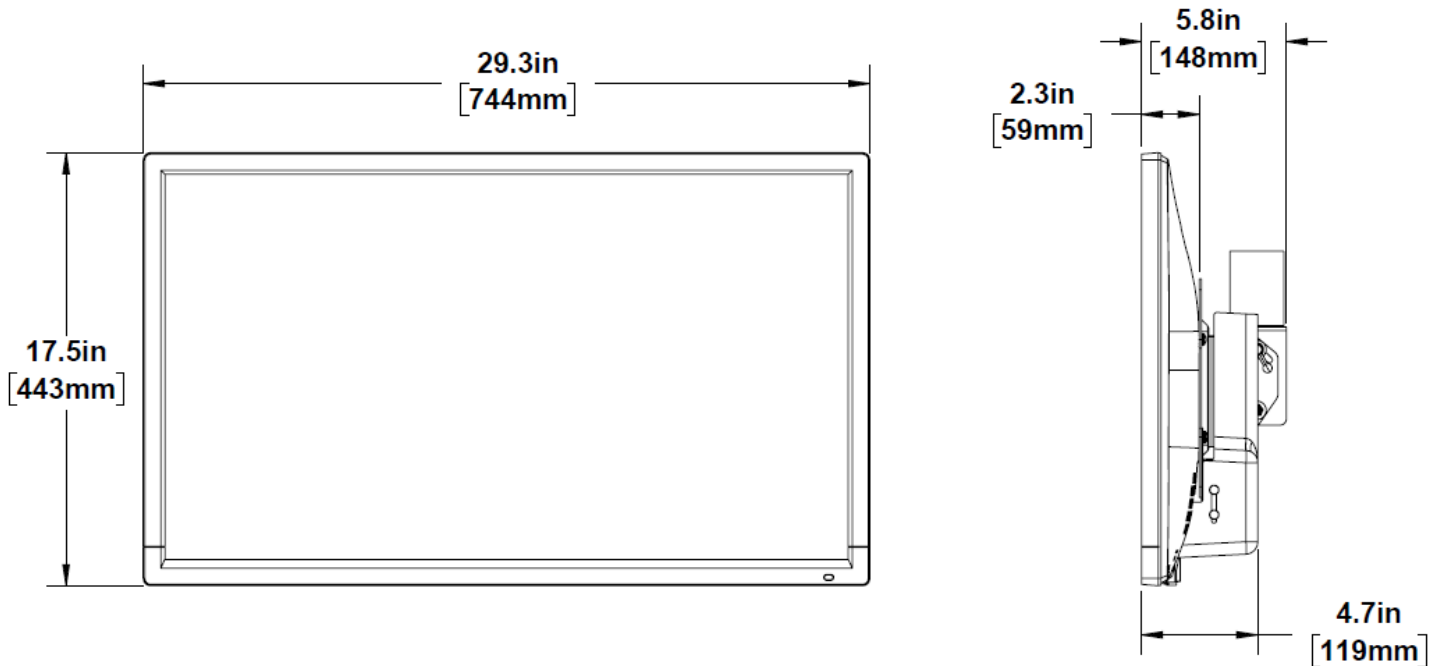
# HYPERION™ PUBLIC VIEW MONITOR

## PRODUCT SPECIFICATIONS

| MODEL NUMBER                    | HYP-PVM32-NB-1                                    | HYP-PVM43-NB-1 |
|---------------------------------|---|----------------|
| <b>CONNECTIONS / POWER</b>      |   |                |
| Input Voltage                   | 24VDC   |                |
| Power Consumption               | 72W   | 84W            |
| Network                         | 1 RJ45  |                |
| HDMI                            | 3 Inputs , 1 Output                               |                |
| USB                             | 1 Input   |                |
| Digital Input                   | 2 Inputs  |                |
| <b>CERTIFICATIONS (Monitor)</b> | UL, CE, FCC Class B RoHS Compliant                |                |
| <b>SPECIAL FEATURES</b>         | 2 Built-In Digital Inputs<br>Customizable Layouts |                |

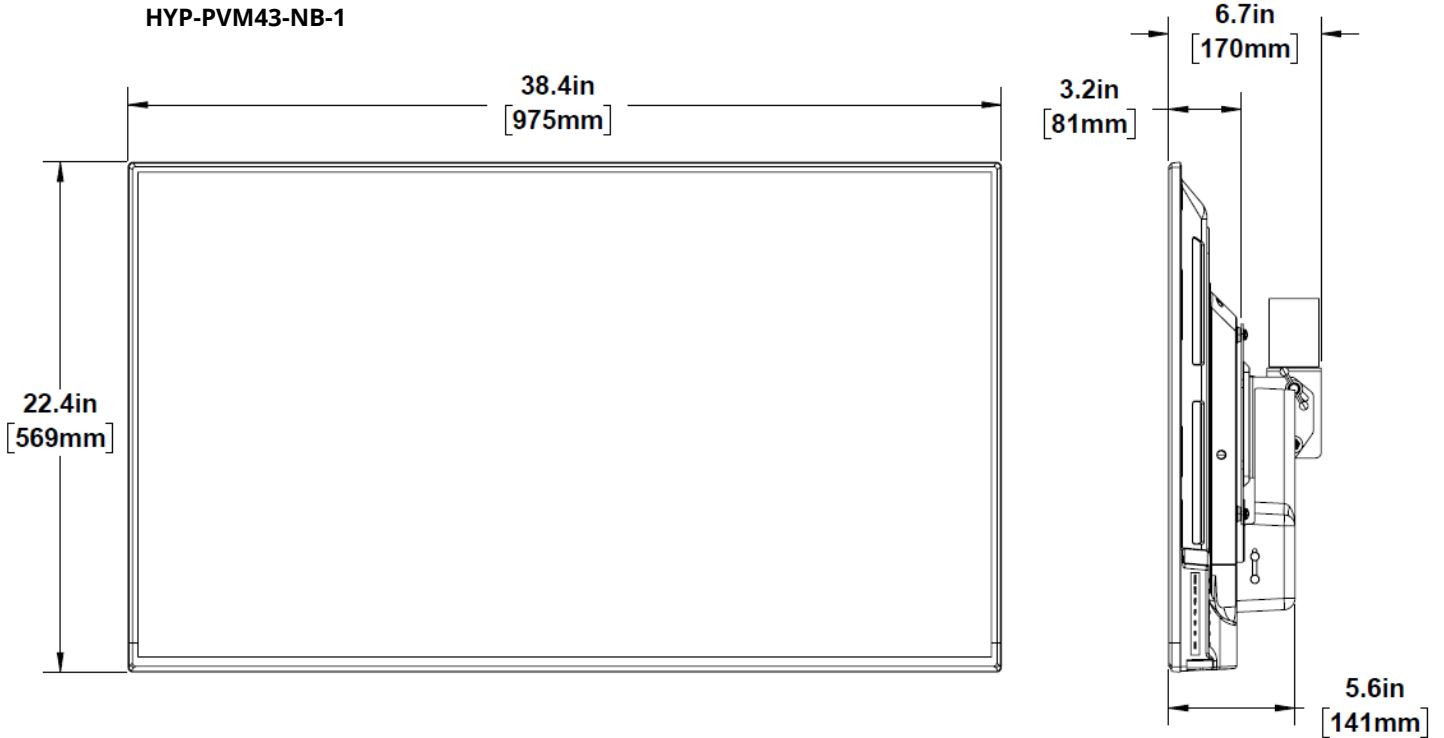
## DIMENSIONS

HYP-PVM32-NB-1



# HYPERION™ PUBLIC VIEW MONITOR

## DIMENSIONS



## ACCESSORIES

| MODEL       | DESCRIPTION   |
|-------------|---|
| MMB0302     | Articulating Wall Mount, VESA 75x200, Black   |
| MMB0601     | Ceiling Mount, Back-to-Back, 1.5" NPT, VESA 400x400, Black (used with a CM-XL-x Pole) |
| MMB0602     | Ceiling Mount, Single, 1.5" NPT, VESA 400x400, Black (used with a CM-XL-x Pole)       |
| MMB0603     | Ceiling Mount, Single, 1.5" NPT, VESA 75-200, Black (used with a CM-XL-x Pole)        |
| MMB0604     | Ceiling Mount, Back-to-Back, 1.5" NPT, VESA 75-200, Black (used with a CM-XL-x Pole)  |
| CM-XL-5-W   | Telescoping Pole, 2-5.5' length, White (used with a MMB060x Ceiling Mount)            |
| CM-XL-11-W  | Telescoping Pole, 6-11' length, White (used with a MMB060x Ceiling Mount)             |
| CM-XL2-21-W | Telescoping Pole, 8-21' length, White (used with a MMB060x Ceiling Mount)             |
| DCSP-CMXL   | Drop Ceiling Support Plate, White (used with a CM-XL-x Pole)                          |
| CS-7        | Unistrut, 7', Open Ceiling Framing Channel, White                                     |