

HYPERION™ PUBLIC VIEW MONITOR



Public View Monitor with enhanced deterrent features for loss prevention plus dynamic content and message delivery.

FEATURES

- Decode Up to 4 HD Video Streams to Increase Awareness of Security Monitoring
- Support for Both Landscape and Portrait Orientations
- Attention Grabbing Features Deliver High-Deterrent Value (Flashing LED's and LP Banners)
- HD Video Provides Exceptional Viewing and Forensic Details
- Intelligent, Fast Layout Switching
- Managed by the Hyperion Application Software

PRODUCT SPECIFICATIONS

MODEL NUMBER	HYP-PVM32-AXB1	HYP-PVM43-AXB1
DISPLAY		
Panel	32" LED Backlight	43" LED Backlight
Resolution	1920 x 1080 (1080p)	3840 x 2160 (4K)
Orientation / Aspect Ratio	16:9	
Brightness	300 NIT	
Contrast Ratio	3000:1	1000:1
Viewing Angle - W x H	178° x 178°	
Response Time	18 ms	8 ms
CAMERA		
Camera Type	Axis FA54 with FA1105 Sensor	
Resolution	2MP, 1920 x 1080	
Minimum Illumination	0.02 Lux	
Lens	2.8 mm F2.0	
Shutter Speed	1/32500 sec.— 1/30 sec. with 60 Hz	
Video Format	H.264, MJPEG	
CABINET		
VESA Pattern	200 x 100	200 x 200
Dimensions - W x H x D (Inches) (Millimeters)	29.30 x 21.00 x 5.80 744 x 534 x 148	38.40 x 26.00 x 6.70 975 x 659 x 170
Weight	29.8 lb / 13.5 kg	34.2 lbs / 15.5 kg
Construction	Black Plastic	
Operating Temperature	-4°F - 140°F (-20°C - 60°C)	

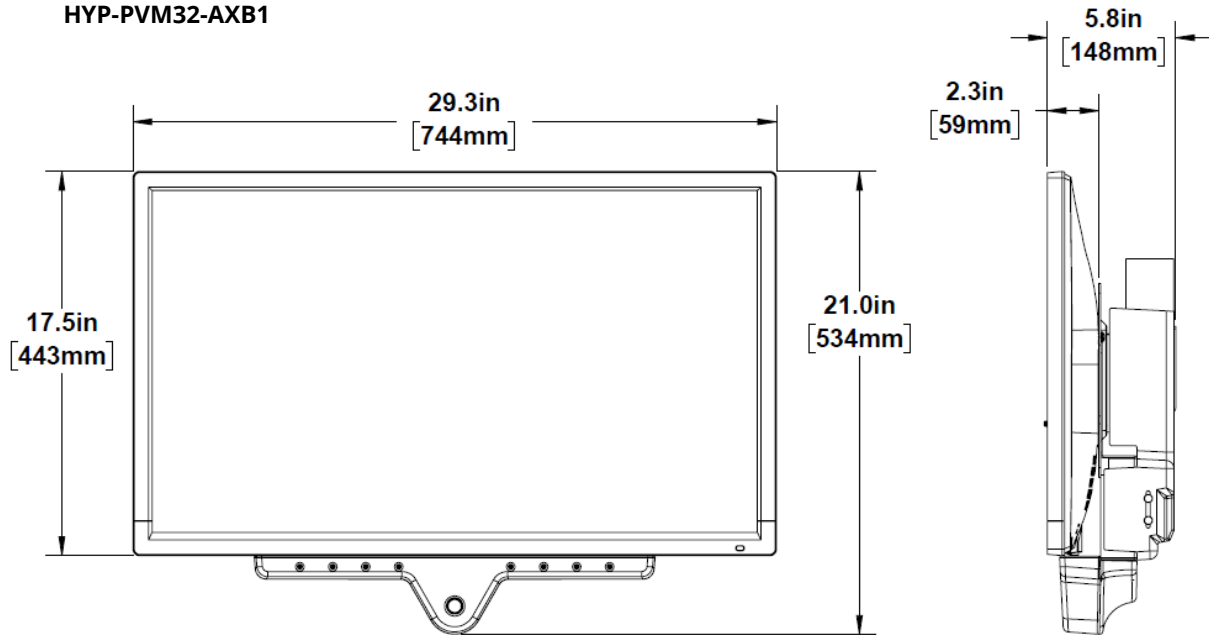
HYPERION™ PUBLIC VIEW MONITOR

PRODUCT SPECIFICATIONS

MODEL NUMBER	HYP-PVM32-AXB1	HYP-PVM43-AXB1
CONNECTIONS / POWER		
Input Voltage	24VDC	
Power Consumption	84W	96W
Network	1 RJ45	
HDMI	3 Inputs , 1 Output	
USB	1 Input	
Digital Input	2 Inputs	
CERTIFICATIONS (Monitor)	UL, CE, FCC Class B RoHS Compliant	
SPECIAL FEATURES	3 Built-In Camera Extension Ports Video Motion Detection White LEDs (On, Off, Flashing, Motion On, Motion Flash) 2 Built-In Digital Inputs Customizable Layouts	

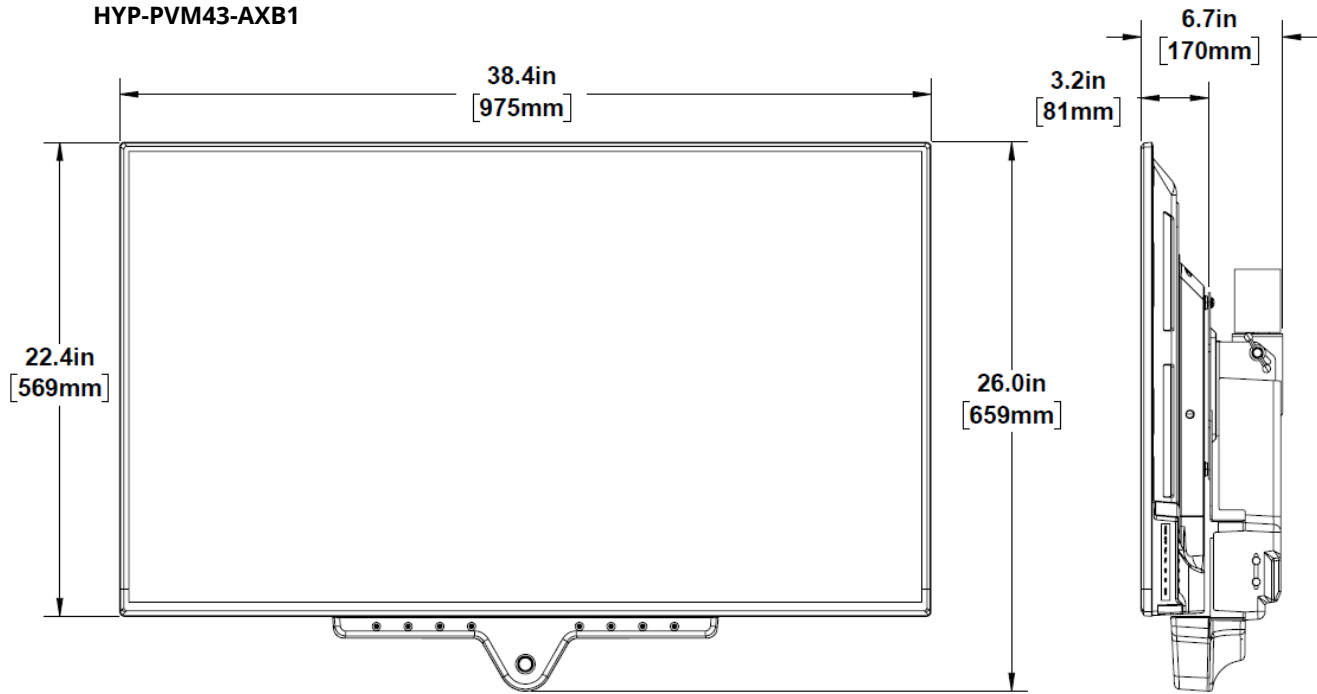
DIMENSIONS

HYP-PVM32-AXB1



HYPERION™ PUBLIC VIEW MONITOR

DIMENSIONS



ACCESSORIES

MODEL	DESCRIPTION
MMB0302	Articulating Wall Mount, VESA 75x200, Black
MMB0601	Ceiling Mount, Back-to-Back, 1.5" NPT, VESA 400x400, Black (used with a CM-XL-x
MMB0602	Ceiling Mount, Single, 1.5" NPT, VESA 400x400, Black (used with a CM-XL-x Pole)
MMB0603	Ceiling Mount, Single, 1.5" NPT, VESA 75-200, Black (used with a CM-XL-x Pole)
MMB0604	Ceiling Mount, Back-to-Back, 1.5" NPT, VESA 75-200, Black (used with a CM-XL-x Pole)
CM-XL-5-W	Telescoping Pole, 2-5.5' length, White (used with a MMB060x Ceiling Mount)
CM-XL-11-W	Telescoping Pole, 6-11' length, White (used with a MMB060x Ceiling Mount)
CM-XL2-21-W	Telescoping Pole, 8-21' length, White (used with a MMB060x Ceiling Mount)
DCSP-CMXL	Drop Ceiling Support Plate, White (used with a CM-XL-x Pole)
CS-7	Unistrut, 7', Open Ceiling Framing Channel, White