



MOUNTS - DCSP

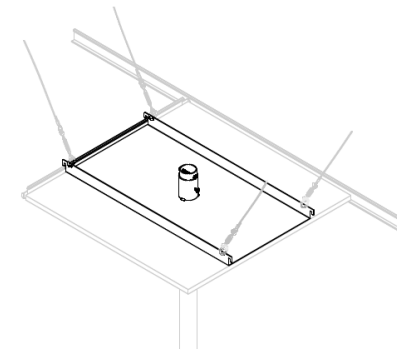
CEILING SUPPORT PLATE

Model Number	DCSP-CMSBB10
Material	Steel
Product Weight	8lbs
Product Dimensions	24.7" x 12" x 1.4" (62.7 cm x 30.48 cm x 3.55 cm)
Max Load	35 lbs (2.7kg)
Pole Diameter Size (inches)	1.375" (3.49 cm)

Model Number	DCSP-CMXL
Material	Steel
Product Weight	8lbs
Product Dimensions	24.7" x 12" x 1.4" (62.7 cm x 30.48 cm x 3.55 cm)
Max Load	60.0 lbs (27.2 kg)
Pole Diameter Size (inches)	1.75" (4.44 cm)

FEATURES

- Safely and Designed to Install into Standard 2' x2' Drop Ceiling
- Height Adjustments Can be Made by Raising or Lower-ing the Pole and Securing It Into Place with the Included Locking Collar
- Double Safety System
- Safety Cables with Adjustable Turnbuckles Included



DIMENSIONS

