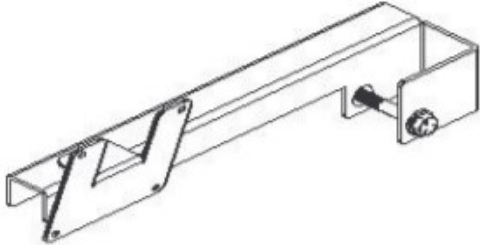


SELF-CHECKOUT MONITOR MOUNT



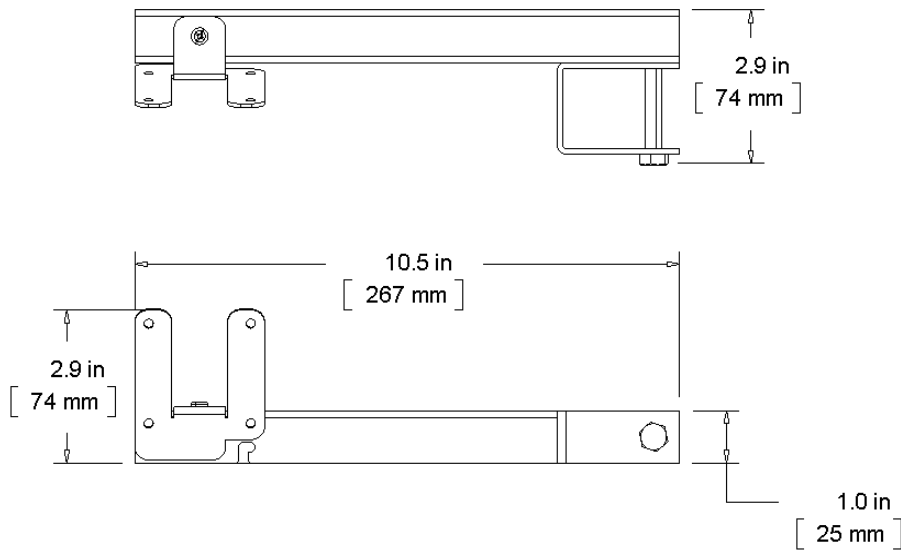
FEATURES

- Accommodates One Wren 7" or 10" PVM
- Easy Height Adjustment
- Angle Optimized For Best View
- All Installation Hardware and Brackets Included
- Rigid Steel Construction
- Designed for Self-Checkout Terminals with 1.5" Square Light Pole

PRODUCT SPECIFICATIONS

MODEL	MM-PVM07SCO-W
Mount	12ga Steel Construction
Finish	White Powder Coat
Weight	1.5lbs (0.68kg)
VESA Pattern	75mm x 75mm
Tilt Angle	15 degrees

DIMENSIONS



124 WREN PARKWAY, JEFERRSON CITY, MO 65109 USA · (800) 881-2249 · WWW.WRENSOLUTIONS.COM

Wren, the Wren logo, and The Power to See Your Business are trademarks of Wren. The trademarks that are followed by ® are registered trademarks in the U.S. All other trademarks and/or registered trademarks mentioned herein are properties of their respective owners and are for reference purposes only. The use of such third party trademarks does not indicate any affiliation with or sponsorship of or by Wren. Copyright 2020 Wren. All rights reserved.

