

PRODUCT INFORMATION SHEET

EG12

ENVIRONMENTAL GLOBE

FEATURES

- Side-Mount Housing for Multiple Fixed Cameras or a Single PTZ
- Integrated Wall Mount
- Dual-Shell Construction and Heater/Blower Kit
- Multiple Mounting Accessories Available
- Accommodates fixed cameras with a Maximum Camera/Lens (MCL) length of 9.5"

WREN
SOLUTIONS

www.wrensolutions.com



PRODUCT INFORMATION SHEET



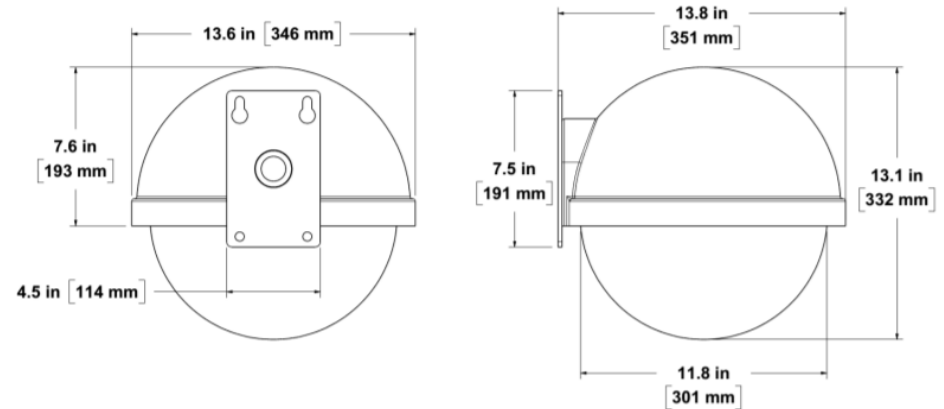
www.wrensolutions.com

Model Number	EG12BG-T1-HB
ENVIRONMENTAL	
Operating Range	-40°C - 40°C (-40°F - 113°F)
Heater	40W at 24VAC (on at 40°F)
Blower	5.1 CFM at 2.4W
CONSTRUCTION	
Outer Housing	UV-Stabilized ABS
Inner Housing	HIPS
Dome	Cell-Cast Acrylic
Weight	5.51lbs (2.48Kg)
ELECTRICAL	
Input Voltage	24VAC
Power	1.8A (Heater On)

ACCESSORIES

- HM1222 Pole-Mount Adapter
- HM1322 Corner-Mount Adapter
- HM1722 Parapet-Mount Adapter

DIMENSIONS



124 Wren Parkway, Jefferson City, MO 65109 USA
 (800) 881-2249 • www.WrenSolutions.com

Wren,® the Wren logo, and Hyperion® are trademarks of Wren. The trademarks that are followed by ® are registered trademarks in the U.S. All other trademarks and/or registered trademarks mentioned herein are properties of their respective owners and are for reference purposes only. The use of such third party trademarks does not indicate any affiliation with or sponsorship of or by Wren Solutions. Copyright © 2021 Wren Solutions. All rights reserved.