

MC Series

Housings > Specialty > Multi-Camera



MCR (recessed-mount)



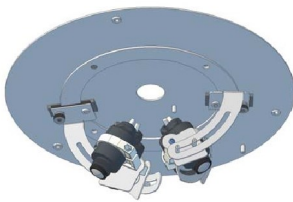
MCS (surface-mount) and MCP (pendant-mount)

FEATURES

- Creates a multi-sensor solution for divided sensor-encoder solutions
- Install up to 4 covert-style camera heads for 360 degree views
- Extremely flexible camera positioning allows for tailored coverage
- Mix and match lenses with the unique mounting system
- Multiple mounting options for both indoor and outdoor applications
- Easy installation and deployment

The Wren Multi-Camera (MC) housing lets you customize your views to create a unique multi-sensor solution to help you obtain camera-specific shot objectives. Each camera head can be positioned independently and the mounts allow for various lenses to be used within the same housing. As with all Wren products, the MC series is designed for a simple installation which ultimately saves you time and money.

OVERVIEW



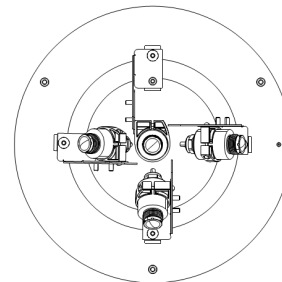
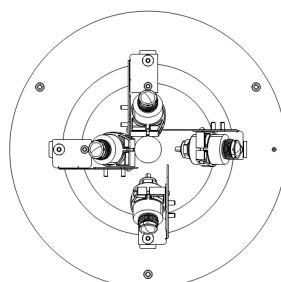
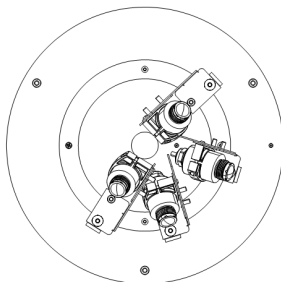
Camera mounting arms move independently, allowing for nearly unlimited positioning options



Various lensing options are also available to be used together inside of each housing
(camera system dependent)

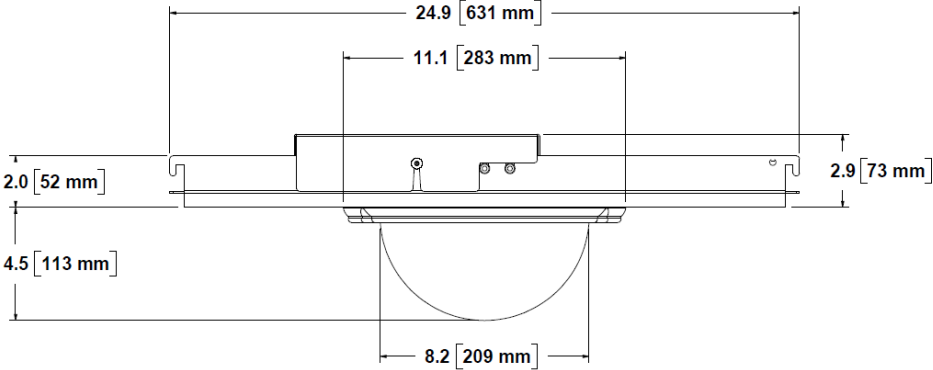


Vertical mounting is achievable for analytics or other desired shots

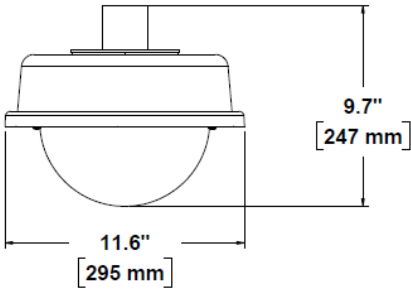


PRODUCT SPECIFICATIONS

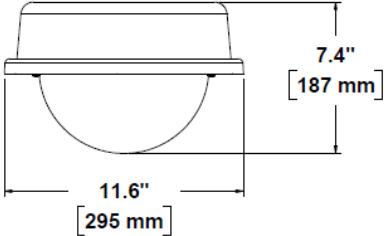
DIMENSIONS



MCR (recessed-mount)

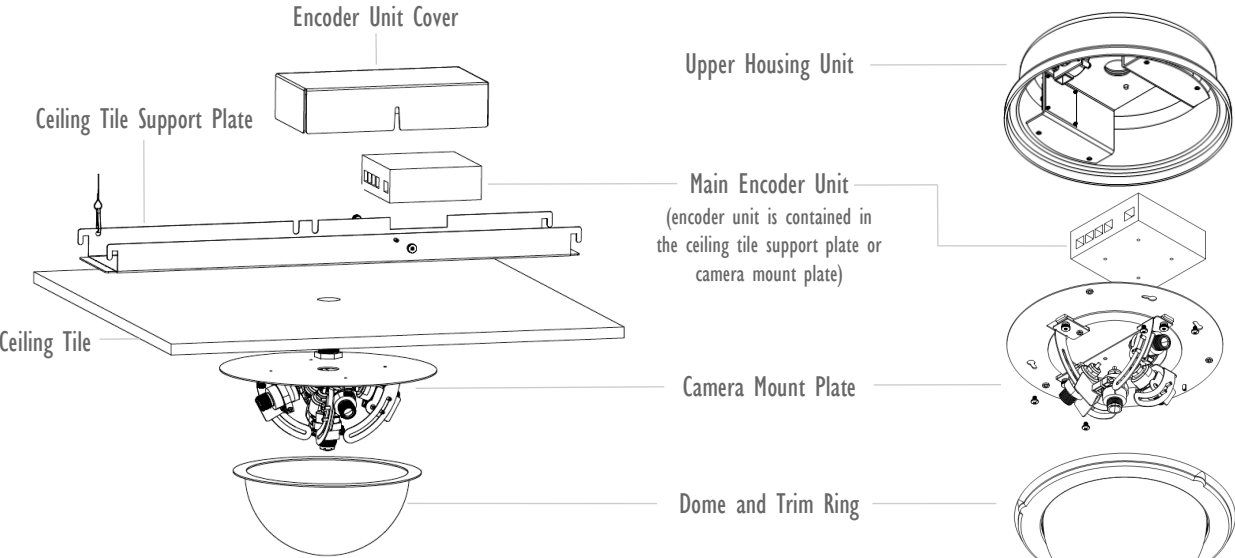


MCP (pendant-mount)



MCS (surface-mount)

EXPLODED VIEWS



MCR View

MCS and MCP View

PRODUCT SPECIFICATIONS

General

Construction (MCP and MCS models)

Housing	ABS with UV inhibitors
Frame	Steel (Powder Coated)
Dome	Polycarbonate

Construction (MCR model)

Support Plate	Steel with polyester powder coat
Trim ring	ABS outer with Aluminum support
Dome	Polycarbonate

Weight (without cameras) 6.0lbs (2.7kg)

Electrical (heater with MGP and MGS units only)

Input Voltage	24VAC
Power	2.0A (heater on)

Environmental

MCR	Indoor only (use with plenum ceilings)
MCP and MCS	Outdoor / Indoor
Operating Range (w/ Heater)	-30°C to 50°C (-22°F to 122°F)
Heater	40W at 24VAC (on at 40°F)
Blower	4.7 CFM at 2.4W

Accessories

HM1102	Wall-Mount
HM1222	Pole-Mount Adapter (requires HM1102)
HM1322	Corner-Mount Adapter (requires HM1102)
HM1722	Parapet-Mount Adapter (requires HM1102)

Models

MCS-BWAXFX8D	Surface-Mount, 8-inch Tinted Dome, White, Supports up to 4 covert tube cameras
MCS-BWAXFX8DH	Surface-Mount, 8-inch Tinted Dome, White, with Heater/Blower, Supports up to 4 covert tube cameras
MCP-BWAXFX8D	Pendant-Mount, 8-inch Tinted Dome, White, Supports up to 4 covert tube cameras
MCP-BWAXFX8DH	Pendant-Mount, 8-inch Tinted Dome, White, with Heater/Blower, Supports up to 4 covert tube cameras
MCR-BWAXFX8D	Flush Mount, 8-inch Tinted Dome, White, Supports up to 4 covert tube cameras

Supported Cameras

We are continually updating the cameras which integrate with our housings.

For the most recent list, please consult the product page on our website at www.wrenolutions.com

Need a custom finish or custom design? Let us help.

Visit us at www.wrensolutions.com/custom



124 Wren Parkway - Jefferson City, MO 65109 - (800) 881-2249 - www.wrensolutions.com

Wren®, the Wren logo, and The Power to See Your Business are trademarks of Wren. The trademarks that are followed by ® are registered trademarks in the U.S. All other trademarks and/or registered trademarks mentioned herein are properties of their respective owners and are for reference purposes only. The use of such third party trademarks does not indicate any affiliation with or sponsorship of or by Wren. Copyright © 2015 Wren. All rights reserved.