

## HM3400 Series - Housing Mount and Adapters



### HM3412 - Wall Mount

- For use with MGDGP2 housing
- 1.5" NPT threads
- Aluminum Construction
- Keyhole slots for simple installation

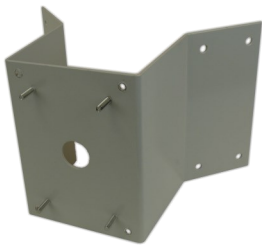
For use with [MGDP2](#)



### HM3522 - Pole Adapter

- For use with HM3412
- For poles from 3-10" in diameter
- Includes two (2) band clamps
- Threaded studs for simple installation
- Aluminum Construction
- Designed for use with 1" liquid tight conduit

For use with [HM3412](#)



### HM3722 - Corner Adapter

- For use with HM3412
- Threaded studs for simple installation
- Aluminum Construction
- Designed for use with 1" liquid tight conduit

For use with [HM3412](#)



# PRODUCT SPECIFICATIONS

## General

### Construction

HM3412	Aluminum with powder-coat finish
HM3522	Aluminum with powder-coat finish
HM3722	Aluminum with powder-coat finish

### Weight (without camera)

HM3412	2.5lbs (1.1kg)
HM3522	2.5lbs (1.1kg)
HM3722	4.2lbs (1.9kg)

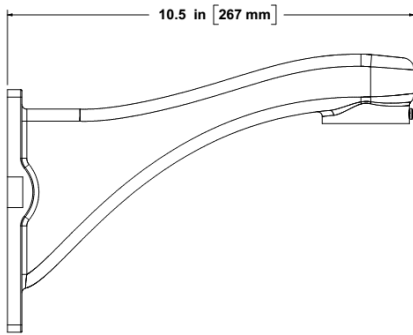
## Models

HM3412	Wall-mount, gray
HM3522	Pole Adapter, gray, includes two band clamps for poles of 3-10" in diameter
HM3722	Corner Adapter, gray

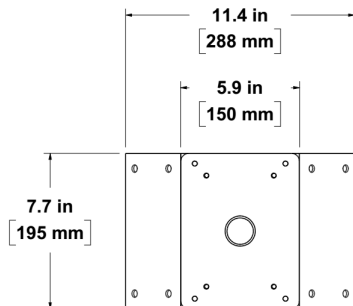
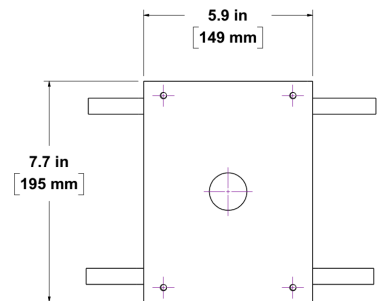
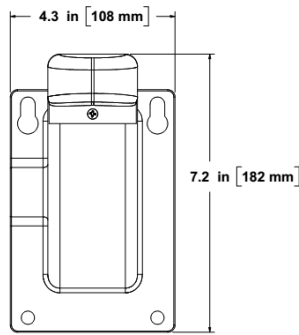
## Environmental

Indoor or Outdoor

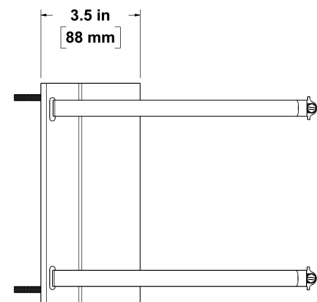
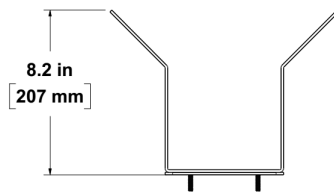
## Dimensions



HM3412



HM3722



HM3522



124 Wren Parkway - Jefferson City, MO 65109 - (800) 881-2249 - [www.wrenolutions.com](http://www.wrenolutions.com)

Wren®, the Wren logo, and The Power to See Your Business are trademarks of Wren. The trademarks that are followed by ® are registered trademarks in the U.S. All other trademarks and/or registered trademarks mentioned herein are properties of their respective owners and are for reference purposes only. The use of such third party trademarks does not indicate any affiliation with or sponsorship of or by Wren. Copyright © 2015 Wren. All rights reserved.